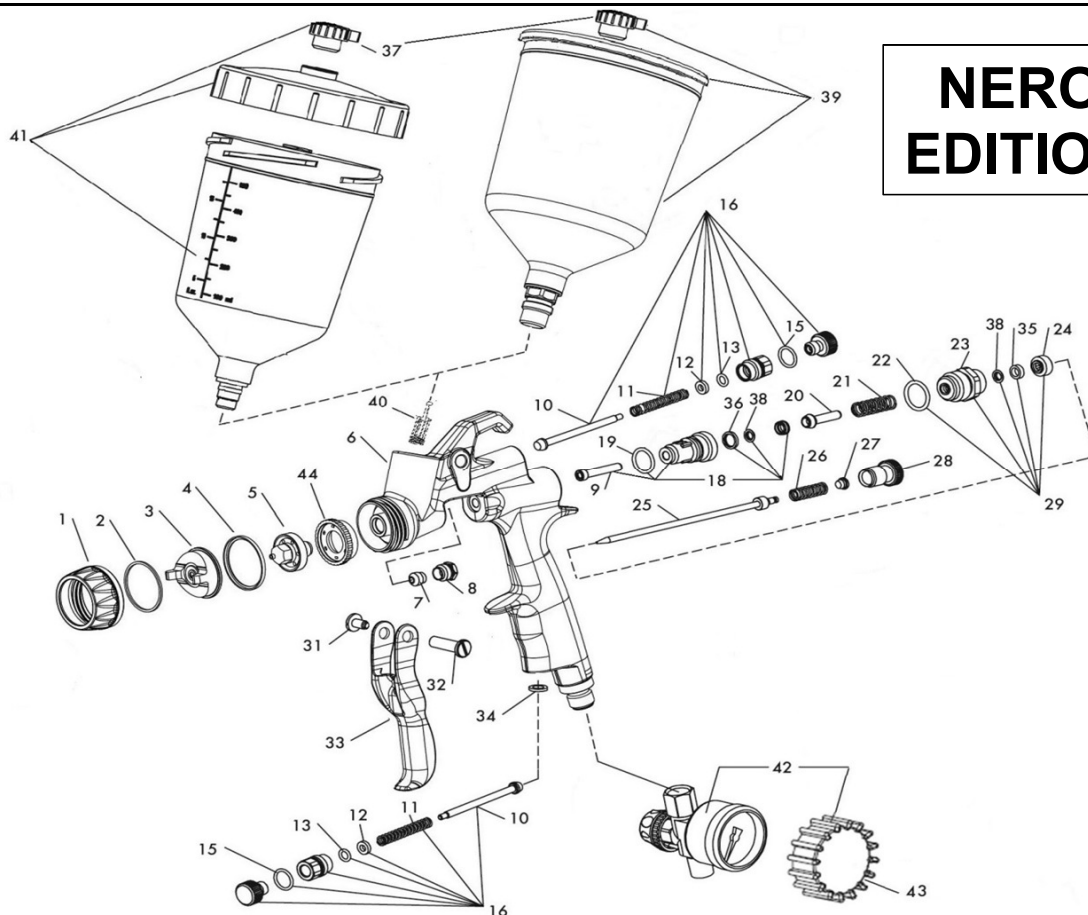


**NERO
EDITION**



No.	REF.
1	Z081009-NE
2	A018022
3 $\Phi 1,0$	Z081035.10
3 $\Phi 1,1$	Z081035.11
3 $\Phi 1,2$	Z081035.12
3 $\Phi 1,3$	Z081035.13
3 $\Phi 1,4$	Z081035.14
3 $\Phi 1,5$	Z081035.15
3 $\Phi 1,7$	Z081035.17
3 $\Phi 1,8$	Z081035.18
3 $\Phi 1,9$	Z081035.19
3 $\Phi 2,2$	Z081035.22
4	A018023
5 $\Phi 1,0$	Z081010.10
5 $\Phi 1,1$	Z081010.11
5 $\Phi 1,2$	Z081010.12
5 $\Phi 1,3$	Z081010.13
5 $\Phi 1,4$	Z081010.14
5 $\Phi 1,5$	Z081010.15
5 $\Phi 1,7$	Z081010.17
5 $\Phi 1,8$	Z081010.18
5 $\Phi 1,9$	Z081010.19
5 $\Phi 2,2$	Z081010.22
6	Z081014-NE/HVLP
7	A018065
8	Z065013
9	A018041
10	1031620
11	1031621

No.	REF.
12	20100213090
13	A007008
15	1031021
16	40811
18	A018085/19
19	A018028
20	A018012/19/COMP
21	A018001
22	A018029
23	A018006/19
24	A018004
25 $\Phi 1,0$	A018049.10
25 $\Phi 1,1$	A018049.11
25 $\Phi 1,2$	A018049.12
25 $\Phi 1,3$	A018049.13
25 $\Phi 1,4$	A018049.14
25 $\Phi 1,5$	A018049.15
25 $\Phi 1,7$	A018049.17
25 $\Phi 1,8$	A018049.18
25 $\Phi 1,9$	A018049.19
25 $\Phi 2,2$	A018049.22
26	Z078038
27	A018024/TN
28	A018015
29	40822
31	Z078022
32	Z081505
33	Z081008-NE
34	A018061

No.	REF.
35	A018055
36	A018045
[37 (White)]	[20100302096]
[37 (Grey)]	[20100302096/G]
38	Z078082
[39]	[52008/W]
[40]	[Z065043]
[41 (White)]	[52028/B]
[41 (Grey)]	[52028/G]
[42]	[90105/W]
[43]	[971005]
44	Z081004
KIT A	40783/HVLP
2 - 4 - 7 - 15 - 19 -	
21 - 22 - 26 - 27 -	
36 - 2x38 - 44	
KIT ADC	$\Phi 1,0$ 810010-NE
1 - 2 - 3 - 4 -	$\Phi 1,1$ 810011-NE
5 - 25	$\Phi 1,2$ 810012-NE
	$\Phi 1,3$ 810013-NE
	$\Phi 1,4$ 810014-NE
	$\Phi 1,5$ 810015-NE
	$\Phi 1,7$ 810017-NE
	$\Phi 1,8$ 810018-NE
	$\Phi 1,9$ 810019-NE
	$\Phi 2,2$ 810022-NE